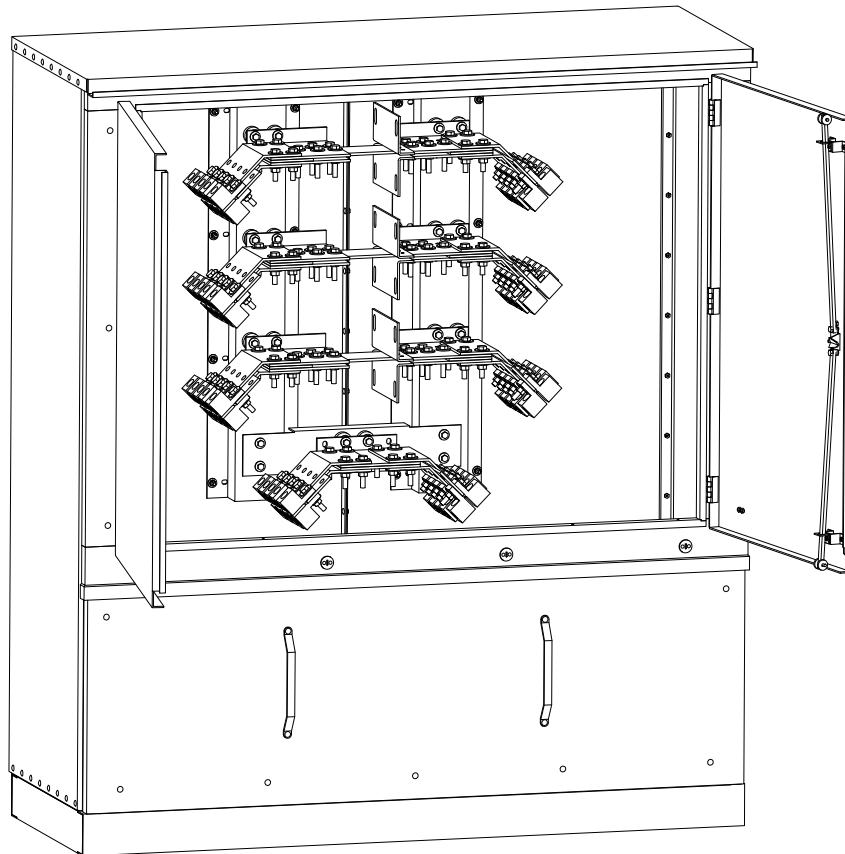


MARCH 1, 2005

BULLETIN

**PMCTCC-05**

ERICKSON ELECTRICAL EQUIPMENT CO.  
PAD MOUNTED  
**METERING TRANSFORMER CABINET /  
CONNECTION CABINET**  
APPROVED 2000 - 4000 AMP  
600 VOLT MAXIMUM  
FOR INDOOR OR OUTDOOR USE (TYPE 3R CONSTRUCTION)



[www.ericksonelectric.com](http://www.ericksonelectric.com)



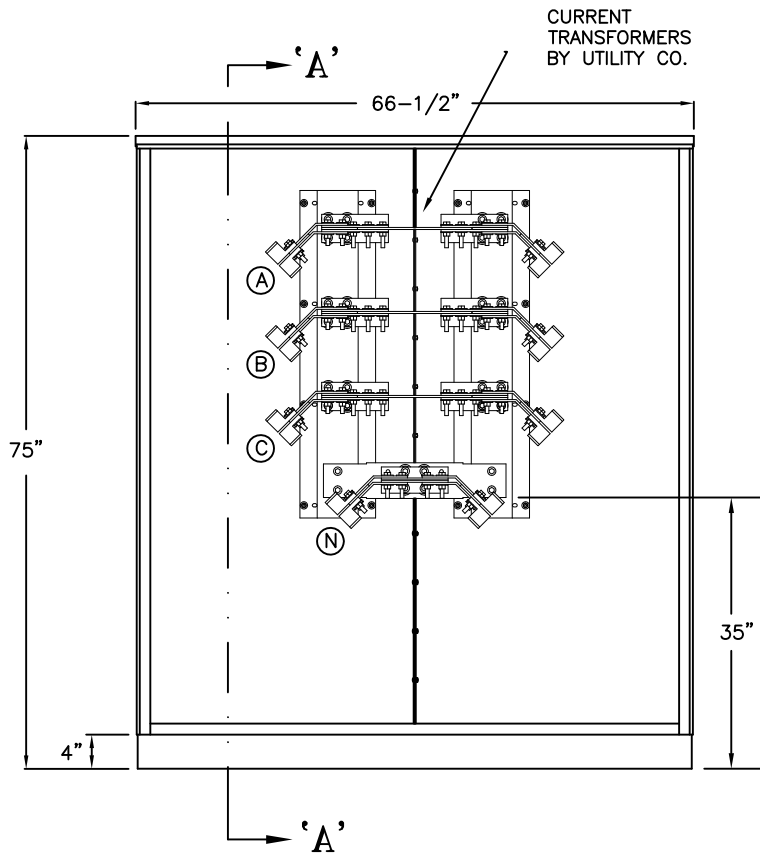
FILE NO. E62784

ERICKSON ELECTRICAL EQUIPMENT CO.  
475 BONNIE LANE • ELK GROVE VILLAGE, IL 60007  
TELEPHONE: (847) 640-7701 / 1-800-952-7225  
FAX: (847) 640-0565

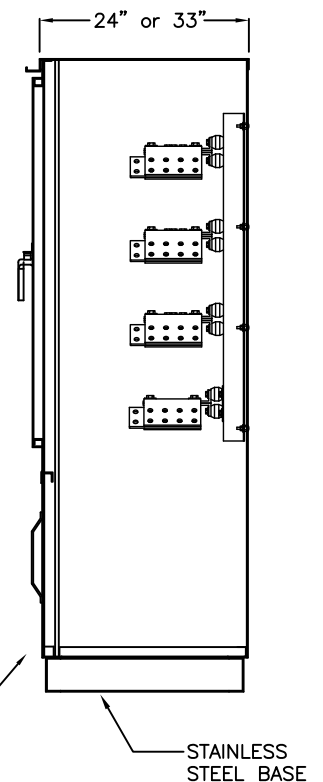
# PAD MOUNTED METERING TRANSFORMER/CONNECTION CABINET

## 600V MAX CATALOG NUMBERS

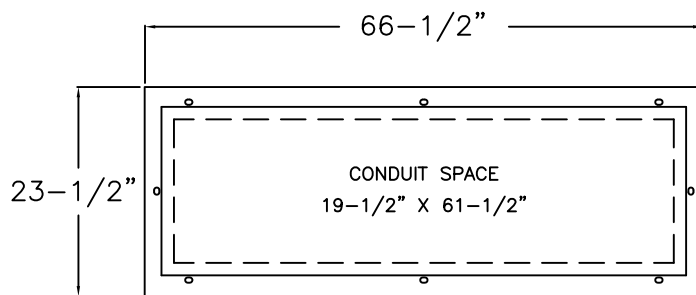
AMPACITY	3Ø 4W	LUGS PER PHASE 300-800 MCM		UNPROTECTED FAULT CURRENT RATING	ENCLOSURE SIZE		
		LINE	LOAD		WIDTH	HEIGHT	DEPTH
2000	PMCTCC4610N	5	5	85,000A	67	75	24
2500	PMCTCC4611N	7	7	85,000A	67	75	24
3000	PMCTCC4612N	8	8	85,000A	67	75	24
4000	PMCTCC4613N	10	10	85,000A	67	75	33



**METERING TRANSFORMER  
COMPARTMENT**

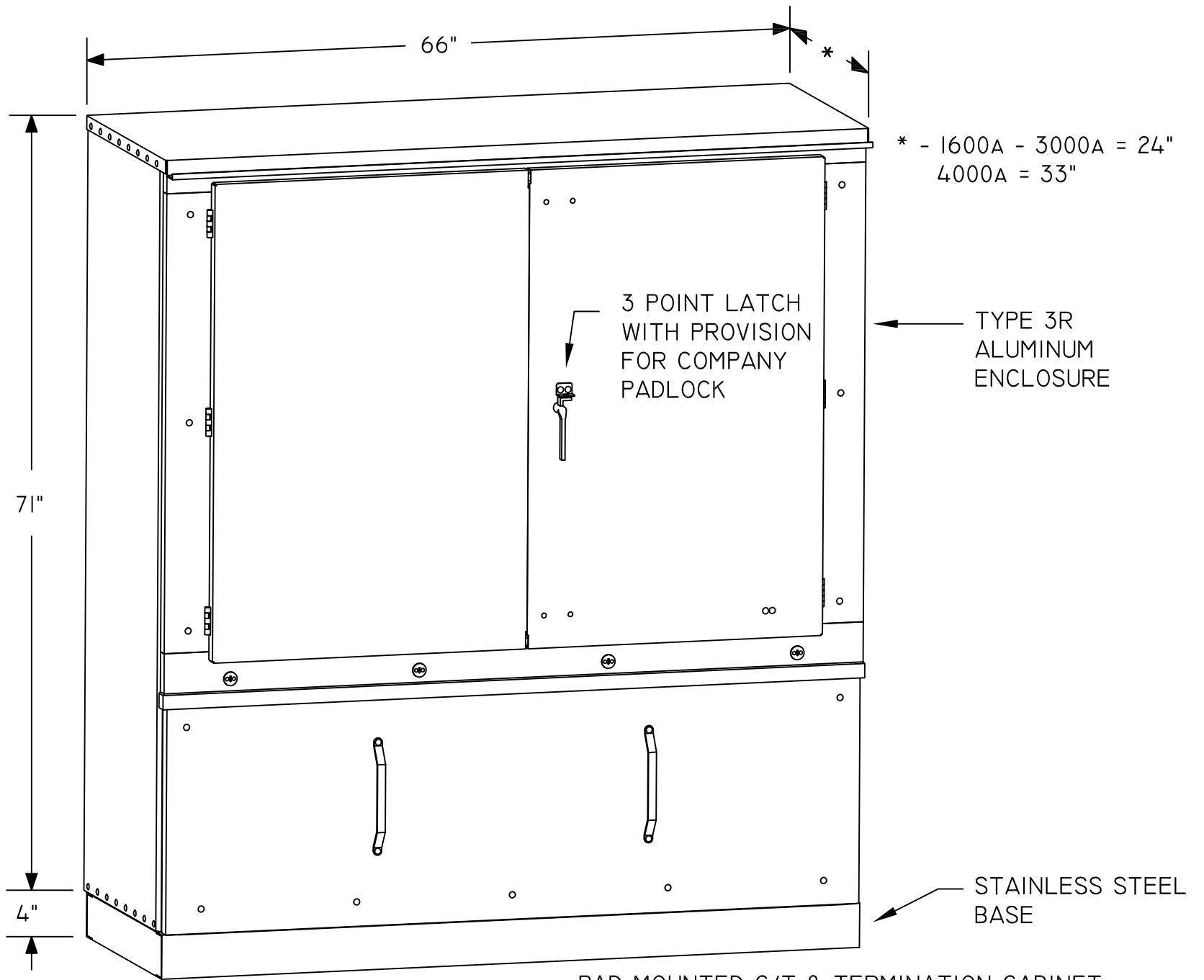


**SECTION 'A'-'A'**



**BOTTOM VIEW**

**ERICKSON ELECTRICAL EQUIPMENT CO.**  
 475 BONNIE LANE • ELK GROVE VILLAGE, IL 60007  
 TELEPHONE: (847) 640-7701 / 1-800-952-7225  
 FAX: (847) 640-0565



PAD MOUNTED C/T & TERMINATION CABINET  
 ERICKSON ELECTRICAL EQUIPMENT CO.  
 ELK GROVE VILLAGE, IL